



RENAULT
Passion for life

All-new Renault DUSTER





RENAULT



Powerful design



Robust off-roader looks

Built for adventure, All-new Renault Duster is a vehicle of distinctive styling. The tone is set by the aggressive lines and chrome trim of the grille, alongside a raised waistline and powerful C-shaped light signature. These strong, powerful lines are enhanced by 16- or 17-inch alloy wheel rims that underline the car's character. A car to open new horizons.









A cabin designed for you

The interior of All-new Renault Duster reflects its generous, adventure-seeking nature. The spacious cabin is bright and reassuring. The driver* and passenger seats provide plenty of support to ensure your comfort wherever you go. The upholstery features a high-quality finish, as does the dashboard, where particular emphasis was placed on ergonomic design. Behind the steering wheel, adjustable for height and reach, TFT digital meters invite you on an inspirational and illuminated tour of discovery.

*With armrest and lumbar adjustment.



Equipped to go further







Harnessing the spirit of adventure

Nothing stops All-new Renault Duster, neither sharp slopes, nor steep tracks. Hill Start Assist and Hill Descent Control let you drive anywhere with ease. At the same time, the Multiview camera acts as a third eye, highlighting any holes, stones or obstacles likely to get in your way. With 4x4 Monitor, you can even check the pitch and roll angles of your SUV at any time. Explore without limits.









Easier city driving

Drive with an easy mind. Use the hands-free card to lock and unlock the doors from a distance! You can even start the air-conditioning before getting into the car. All-new Renault Duster likes to take care of you. On the road, the blind spot warning picks up any hidden vehicles, while the speed limiter and cruise control functions help you concentrate on your driving. Delivering real support, in the city and elsewhere!





Heading for the wide open spaces

What could be more exciting than setting out on an adventure with your family or friends? It takes just a few seconds to adapt the modular interior layout of All-new Renault Duster to your needs or requirements: the rear bench seat features a 1/3-2/3 split-fold function, while the boot boasts record loading capacity*. Duster features an array of storage compartments around the cabin, from the doors to the seat backs via the central console. Your passengers enjoy every comfort.

*445 dm³ in the 4x2 version.





CARLAB Chromo Zone

Atacama Orange⁽¹⁾



Mink Brown⁽¹⁾



Mercury⁽¹⁾



Comet Grey⁽¹⁾



(1) Metallic paint. (2) Solid paint. Non-contractual illustrations.

Navy Blue⁽²⁾



Glacier White⁽²⁾



Pearl Black⁽¹⁾



Cosmos Blue⁽¹⁾



Dune Beige⁽¹⁾



CARLAB Upholstery



Dark Leather*



Guilford



Neutral Interior Look Pack



Martur

* Bovine leather.

CARLAB Wheel Rims



16" steel



16" Fidji

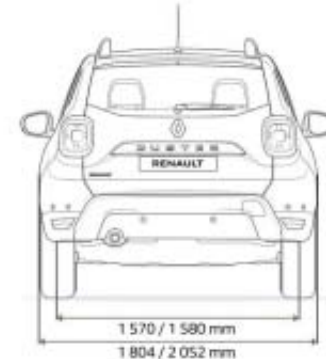
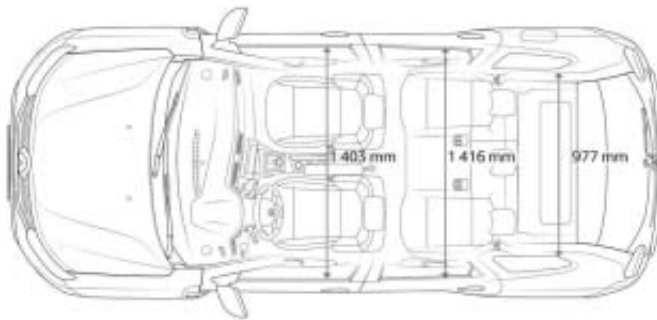
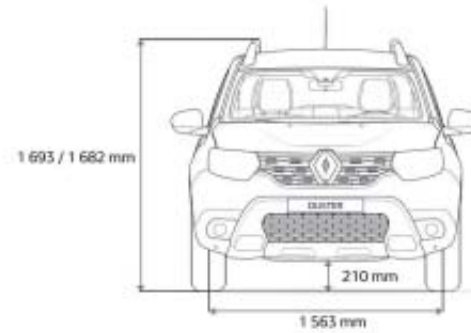
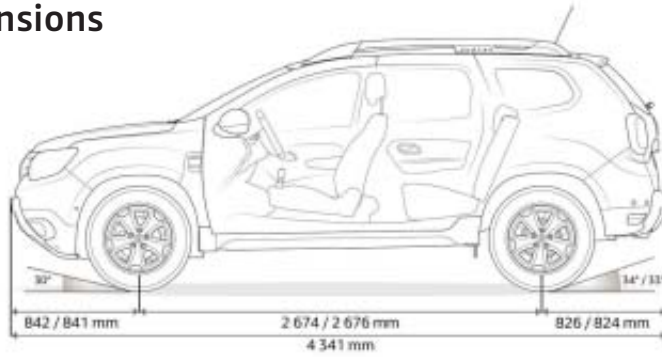


16" Cyclade



17" Maldives

CARLAB Dimensions





1. Tool-free removable towbar: Essential for safely towing or carrying your equipment – e.g. bicycle rack, trailer, boat, caravan, etc. With its tool-free removable tow ball, it does not detract from your vehicle's looks. Recommended for frequent use.

2. Express Hang On bicycle rack – on towbar: Whether alone or with a passenger, take your bikes with you – quickly, simply and safely! Foldable and tiltable, it always leaves the boot accessible, even when the bikes are installed on the bicycle rack.

3. Side steps: Strike off the beaten path with go-anywhere styling. A convenient accessory that makes it easier to access your vehicle and its roof.

4. Roof spotlights: Light up the way on any terrain. Installed on the roof bars, the two lights complement the main beam headlights.

5. Bull bar: Protect your vehicle's bumpers and enhance its muscular looks.

6. Chrome styling bars: Protect your Duster from minor everyday knocks while underlining its robust looks. Set of 4 bars (front, rear and side).

7. 180° front camera: Essential for manoeuvring easily, safely and accurately. This system gives you a complete picture of the area in front of your vehicle, displayed directly on the navigation screen.

8. Built-in dashcam: Essential for your safety and peace of mind on the road. This automatic and autonomous on-board recording system remembers where you were at what time.

9. EasyFlex modular boot protection: Non-slip and waterproof, it is essential for protecting the boot of your vehicle and transporting bulky and dirty items! It adapts to the configuration of the rear seats to cover the entire loading area.



3.4.5.



7.



6.



8.



9.

A wide-angle landscape photograph of a desert valley. In the foreground, a paved road curves from the bottom right towards the center. The terrain is arid, with sparse, dry vegetation and rocky ground. In the background, a range of mountains stretches across the horizon under a hazy, overcast sky. The overall color palette is muted, with earthy browns, greys, and soft blues.

All-new Renault DUSTER

The unstoppable SUV





Every precaution was taken to ensure this publication was accurate and up-to-date when printed. This document is based on pre-production and prototype models. In line with its policy of continuous product improvement, Renault reserves the right to modify the specifications, vehicles and accessories described and featured at any time. Any such changes are communicated to Renault dealers as quickly as possible. Depending on the country of sale, some versions may differ and some equipment may be unavailable (as standard, as an option or as an accessory). Please contact your nearest dealer for the latest information. For technical printing reasons, the colours featured in this document may differ slightly from those of the actual paintwork or interior trim. All rights reserved. Reproduction in any format and by any means of all or part of this publication is prohibited without prior written authorisation from Renault.

Renault recommends 